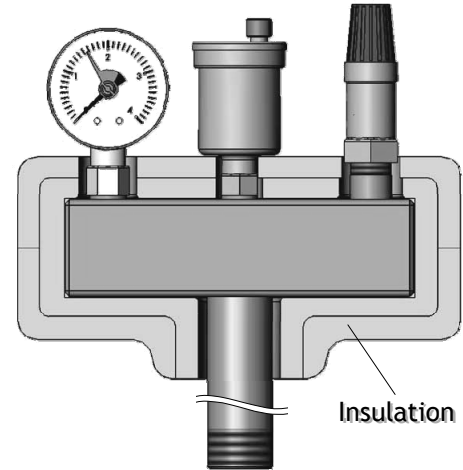


BOILER SAFETY UNITS

SG 50 DD
SG 100 DD
SG 200 DD
SG 350 DD

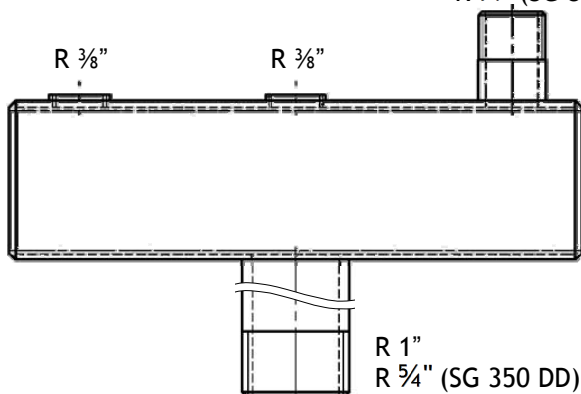


up to 350 kW



Boiler safety units

R 1/2" (SG 50 DD)
R 3/4" (SG 100 DD)
R 1" (SG 200 DD)
R 5/4" (SG 350 DD)



- Mounting assembly for self-contained heating systems
- Connection R 1" nipple (5/4" for SG 350 DD)
- Ready for use - equipped with:
 - Manometer Ø63 mm/4 bar/3/8" with automatic shut-off valve
 - 3/8" quick air bleeding system with automatic shut-off valve
 - Safety valve:
 - 1/2" 2.5 bar or 3 bar for systems up to 50 kW
 - 3/4" 2.5 bar or 3 bar for systems up to 100 kW
 - 1" 2.5 bar or 3 bar for systems up to 200 kW
 - 5/4" 2.5 bar or 3 bar for systems up to 350 kW
- Galvanised steel chamber
- Insulation to DIN 4102-B2 standard



Boiler safety units SG DD with insulation

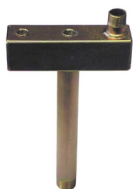


- Connection R 1" nipple (R 5/4" SG 350)
- Ready for use - equipped with:
 - Manometer Ø63 mm/4 bar/3/8"
 - 3/8" quick air bleeding system
 - Safety valve
- Galvanised steel mounting
- Insulation to DIN 4102-B2 standard

Type	Safety valve	Product No.
SG/I 50 DD	1/2"	860050 DD
SG/I 100 DD	3/4"	860100 DD
SG/I 200 DD	1"	860200 DD
SG/I 350 DD	5/4"	860350 DD



Steel chamber for boiler safety unit SG DD



Type	Safety valve	Product No.
K2a DD (SG 50 DD)	R 1/2"	860 312
K3a DD (SG 100 DD)	R 3/4"	860 313
K4a DD (SG 200 DD)	R 1"	860 314
K5a DD (SG 350 DD)	R 5/4"	860 315

SG 50 DD can be combined with type **HVT** heating manifolds.