

MULTI-FUNCTION UNITS FOR EXPANSION TANKS



EWK 1
EWK 2

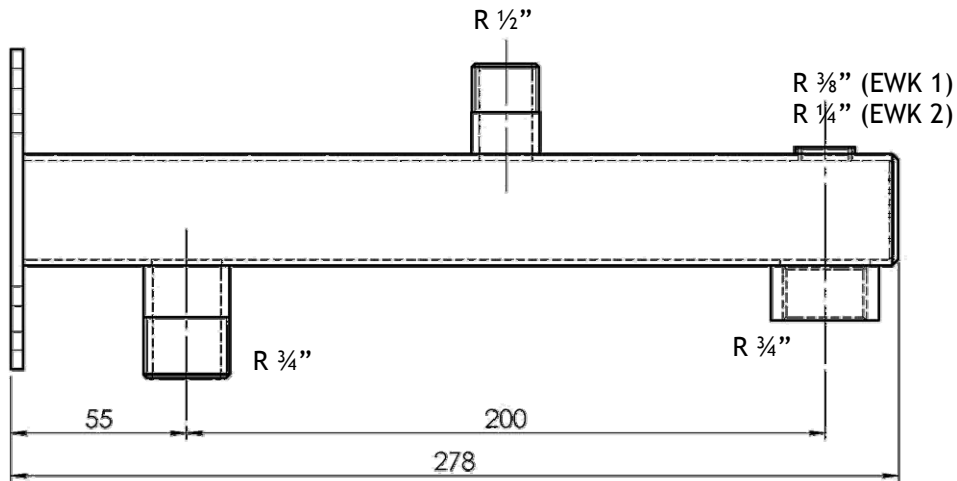


Sanitary system
R 3/4"

Capped valve R 3/4" DIN4751
or
Quick-disconnect tank

Stainless steel multi-function units for expansion tanks EWK

- ❑ Mounting assembly for sanitary systems
- ❑ Connection R 3/4"
- ❑ Ready for use - equipped with:
 - ❑ 1/2" safety valve, 10 bar
 - ❑ Manometer Ø63mm/10 bar/ with automatic shut-off valve
- ❑ Expansion tank is connected via an automatic quick-disconnect tank coupling or a R 3/4" DIN4751 capped valve.



Stainless steel multi-function units for expansion tanks EWK



- ❑ Stainless steel chamber
- ❑ Connection R 3/4"
- ❑ Ready for use - equipped with:
 - 1/2" safety valve, 10 bar
 - Manometer Ø63 mm/10 bar

Type	Manometer	Product No.
EWK 1	3/8"	860 134
only steel chamber		860 114
EWK 2	1/4"	860 135
only steel chamber		860 115