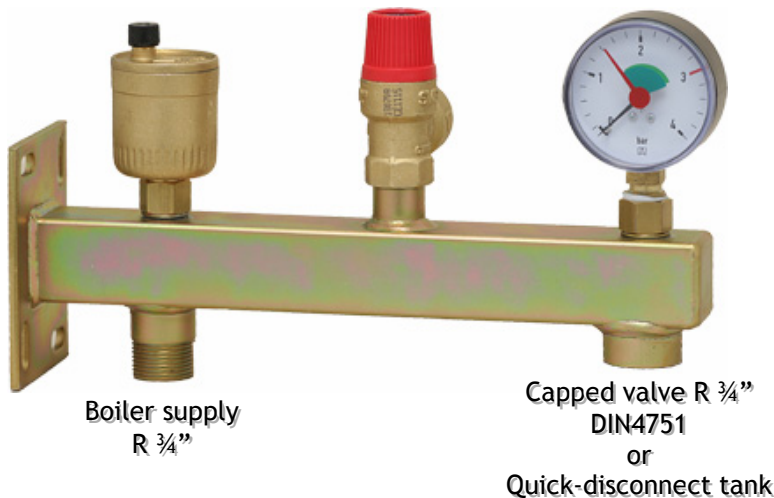


# MULTI-FUNCTION UNITS FOR EXPANSION TANKS



**UWK 1**  
**UWK 2**  
**UWK S**

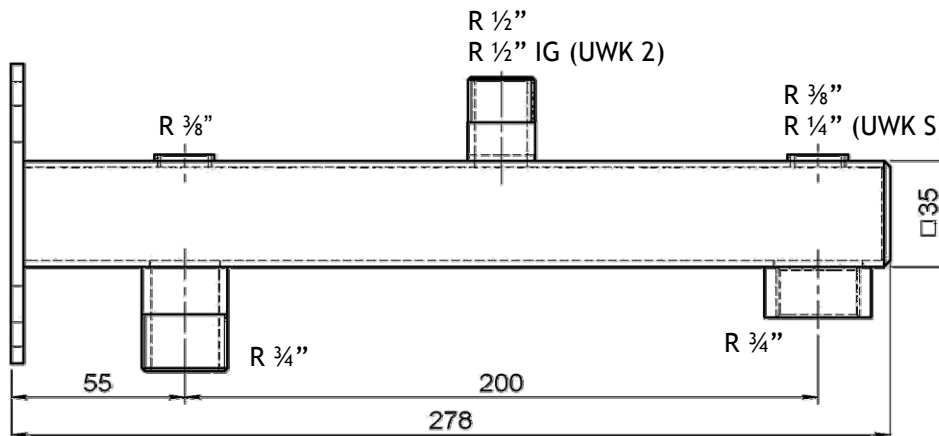


Boiler supply  
R 3/4"

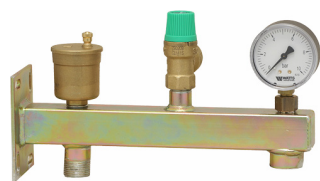
Capped valve R 3/4"  
DIN4751  
or  
Quick-disconnect tank

## Multi-function units for expansion tanks UWK

- Mounting assembly for self-contained heating or solar systems
- Connection R 3/4"
- UWK 1 and UWK 2/heating/ready for use - equipped with:
  - 3/8" quick air bleeding system with automatic shut-off valve
  - 1/2" safety valve, 2.5 bar or 3 bar
  - Manometer Ø63 mm/4 bar/3/8" with automatic shut-off valve
- UWK S/solar//ready for use - equipped with:
  - 3/8" quick air bleeding system with automatic shut-off valve
  - 1/2" safety valve, 6 bar
  - Manometer Ø63/10 bar/1/4" with automatic shut-off valve
- Galvanised steel chamber
- Expansion tank is connected via an automatic quick-disconnect tank coupling or a R 3/4" DIN4751 capped valve.



## Multi-function units for expansion tanks UWK



Quick-disconnect coupling, only with UWK 1 SK

- UWK 1 and UWK 2 for heating systems, UWK S for solar systems
- Connection R 3/4"
- Ready for use - equipped with:
  - 3/8" quick air bleeding system
  - 1/2" safety valve
  - Manometer Ø63 mm
- Galvanised steel chamber

Type	Manometer	Product No.
<b>UWK 1</b>		<b>860 122</b>
<b>UWK 1 SK</b>	Ø63 / 4 bar / 3/8"	<b>860 124</b>
only steel chamber		<b>860 103</b>
<b>UWK 2</b>		<b>860 123</b>
only steel chamber	Ø63 / 4 bar / 3/8"	<b>860 104</b>
<b>UWK S</b>		<b>860 125</b>
only steel chamber	Ø63 / 10 bar / 1/4"	<b>860 106</b>